

PERCo

5 year
warranty

Speed gates

for facilities with high design requirements



Contactless
and convenient
passage



Throughput
rate



Safety
in case of
emergency

Speed gates are designed to organize fast contactless access control and convenient passage in sites with intensive pedestrian flow. This turnstile type is implemented to avoid queues at the entry and exit. PERCo speed gates harmoniously match various interiors. Turnstiles are made of tempered glass, stainless steel, and artificial quartz stone.

Swing panels of different sizes allow organizing a convenient passage zone. Compact speed gates are suitable for small sites. All PERCo speed gates are equipped with more than 40 pairs of optical sensors to prevent unauthorized access and ensure safe passage for people with children, pets, or bulky luggage.

PERCo speed gate range includes models with swing and sliding panels. In order to form a passage zone and provide an extra exit, all the turnstiles can be completed with swing gates and railings. Besides, there are special brackets and poles designed to fix optional equipment: face recognition terminals, readers, biometric scanners, pyrometers, etc.





ST-01 SPEED GATE

with swing panels







14 pairs of sensors
on the upper level

28 pairs of sensors
on the lower level

3 types of top covers

5 types of swing panels

design tempered glass
stainless steel

integration brackets and poles for
optional equipment,
possibility to install readers
under the top cover



TOP COVERS



tempered glass



stainless steel



tempered glass and stainless steel

SWING PANELS



high



standard



wide

BRACKETS AND POLES



front panel for a barcode reader



front panel with a built-in card capture reader



bracket for a face recognition terminal

EXTRA PASSAGE ZONE



SAFETY STICKERS



ST-11 SPEED GATE

compact, with swing panels







24 pairs of sensors
on the upper level

24 pairs of sensors
on the lower level

2 types of top covers

4 types of swing panels

120 cm long

design artificial quartz stone
stainless steel
tempered glass

integration brackets and poles for
optional equipment,
possibility to install readers
under the top covers



TOP COVERS



artificial quartz stone



stainless steel

SWING PANELS



high



standard



wide

BRACKETS AND POLES



front panel for a barcode reader



front panel a built-in card capture reader



bracket for a face recognition terminal

EXTRA PASSAGE ZONE

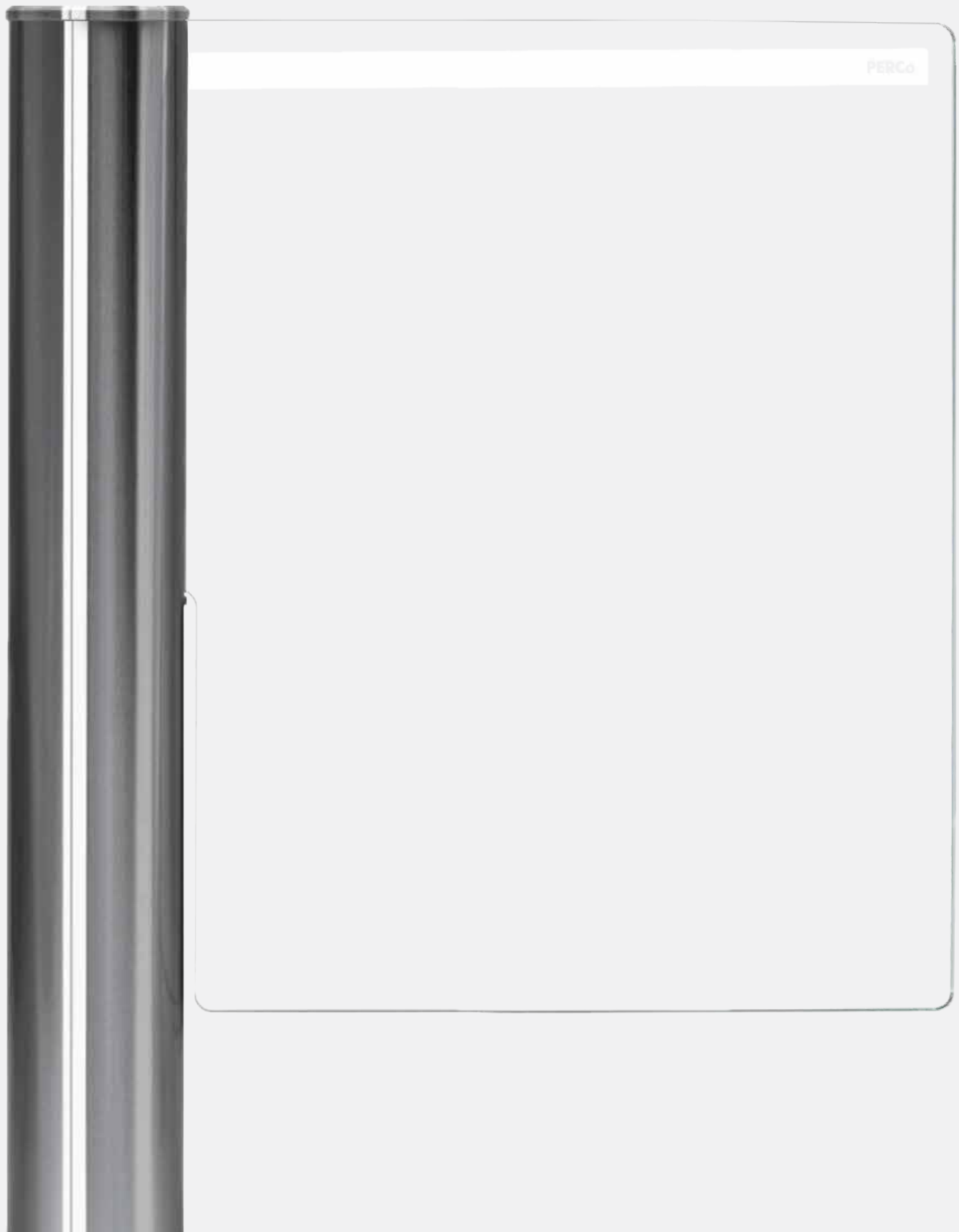


SAFETY STICKERS



WMD-06 SWING GATE

Motorized swing gate is designed to organize an emergency exit, or convenient passage for people with reduced mobility, and carrying bulky goods



BH-06 RAILING

Railings are designed to form passage zones and complete interior design





2 types of
swing panels

design swing gate post – stainless steel
swing panel – tempered glass

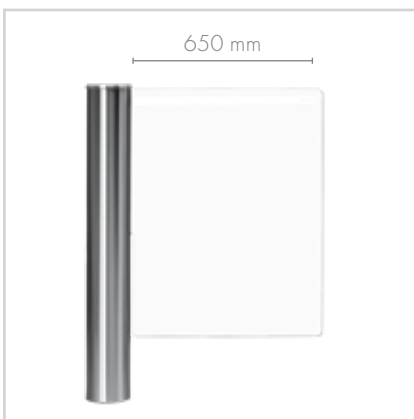


12/min

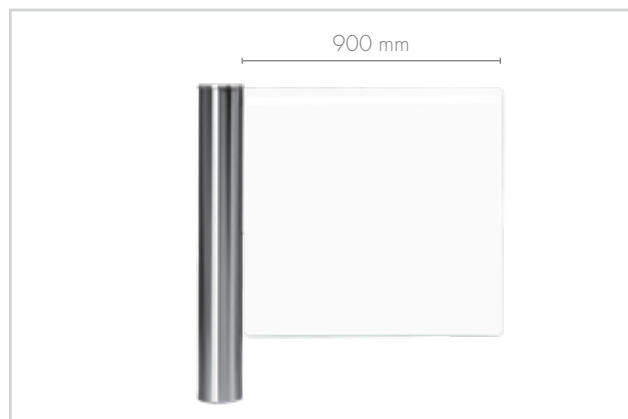




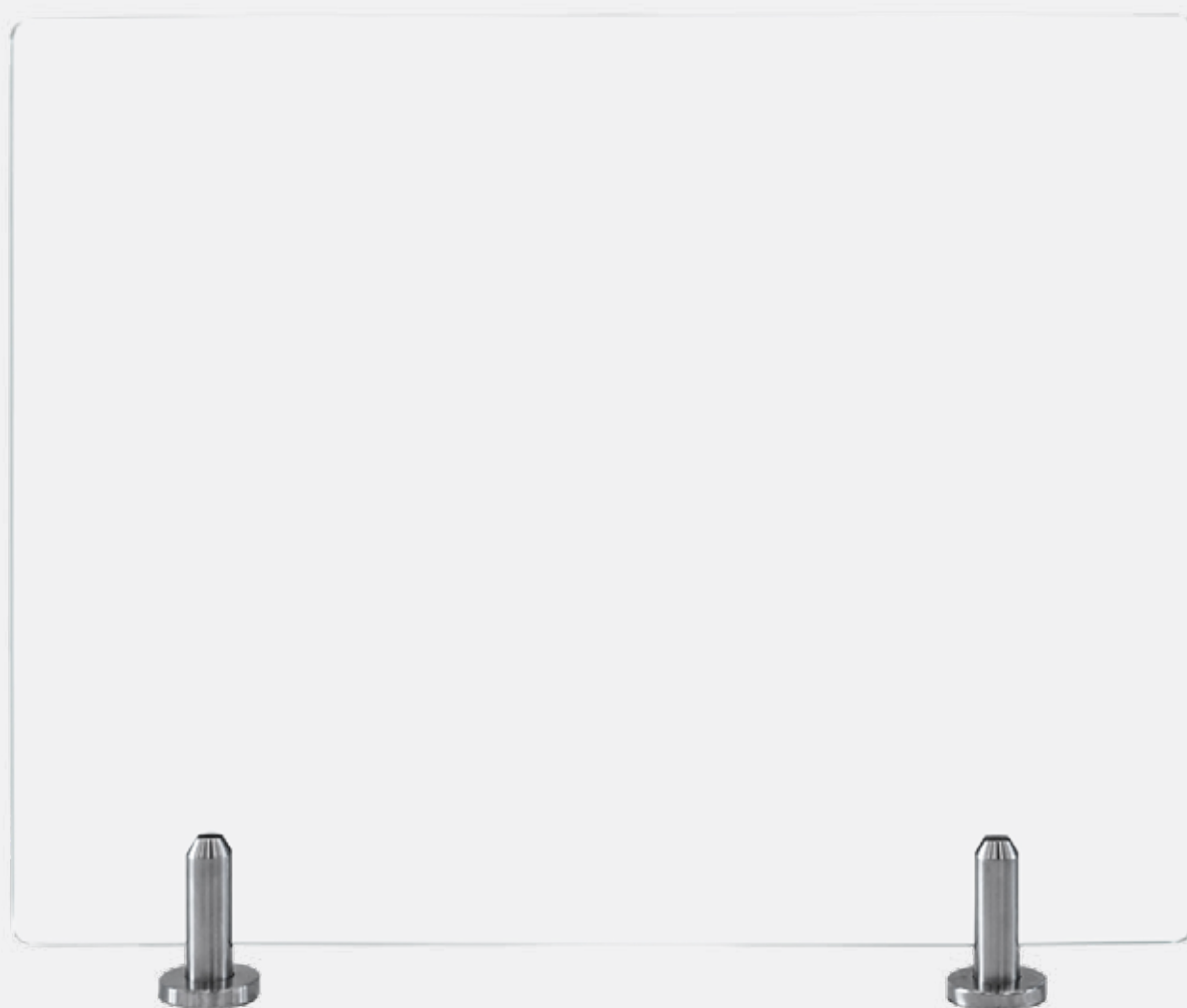
SWING PANELS



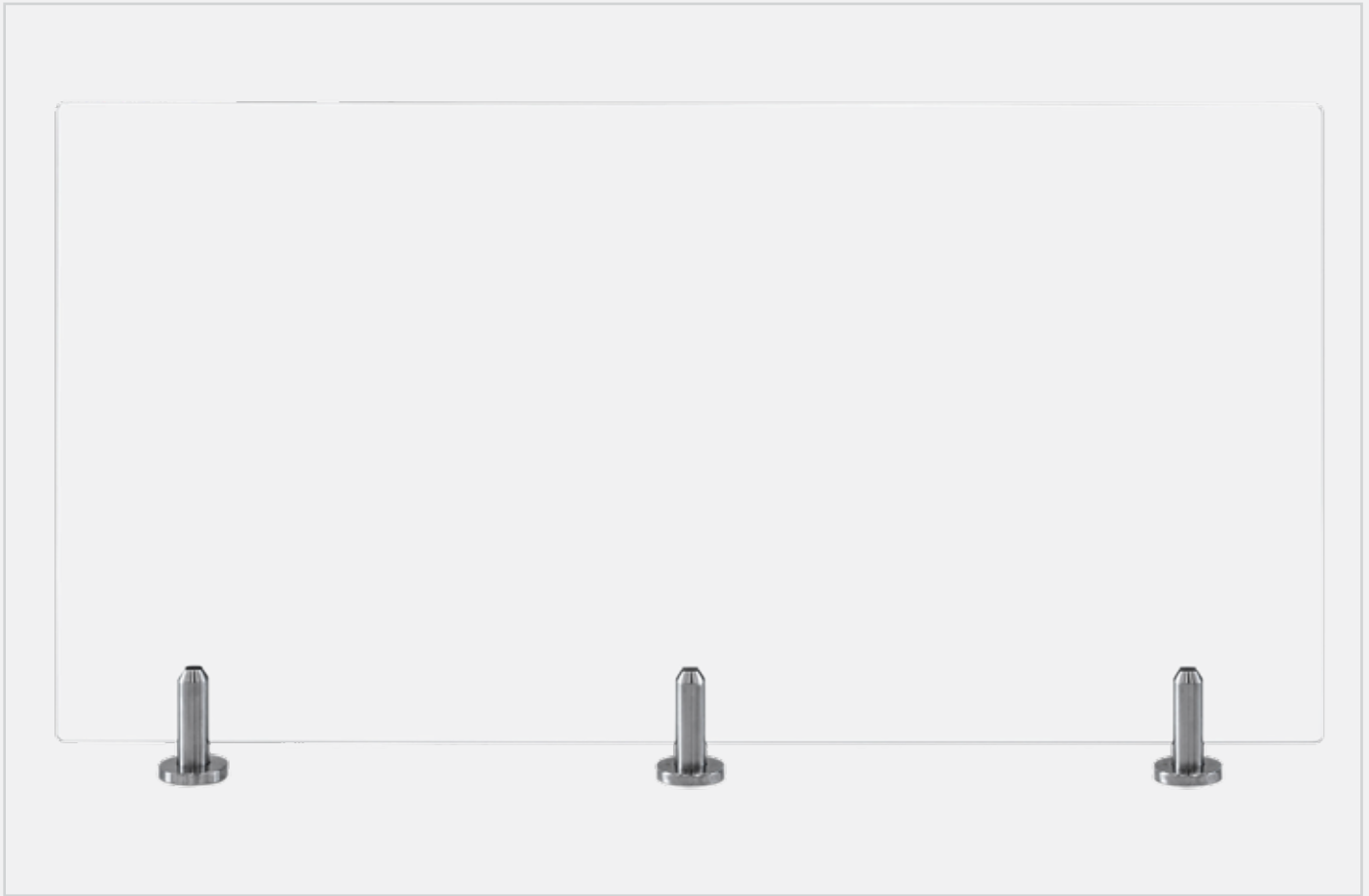
standard



wide



design filler panel – tempered glass
..... bracket – stainless steel



bracket slot allows fixing the panel without drilling

BRACKET



stainless steel bracket





JYSK company office, Denmark



Latécoère company office, France



SIBIR' business center, Russia



Fotografiska center, Estonia

PERCo in brief

5 year warranty

93 countries of sales

35 years of experience in the market

400 dealers

> 500 qualified specialists

5 warehouses in Russia and the UAE



modern manufacturing plant



free training and technical support



www.perco.com